



On or off, you'll always notice neo switches.

neo  
face the future

[www.clipsalneo.com](http://www.clipsalneo.com)

EZinstall  
Technology

*intelligent build*  
***smart homes***  
*lighting control solution*  
*energy management*  
***control systems***  
*home automation*

# Universal Voltage Switches

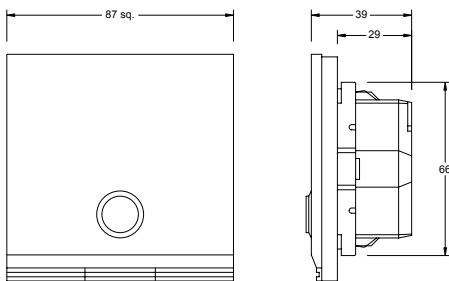
EZinstall ULTI Family Switches are two-wire true retrofit design which enables direct replacement of standard mechanical electrical switches without additional cabling or rewiring. A built-in RF receiver enables direct remote control to switches with scene or individual circuit control feature. EZinstall ULTI Switches are available as 2kVA and 1kVA ratings and are compatible with incandescent and fluorescent lighting.

EZinstall ULTI Switches are available in a wide range of finishes and styles, and feature European design elegance. In addition, the units feature blue or amber LED O-ring backlight with easy-to-use push buttons for on/off switching. The switches can be controlled from any pre-programmed remote control units.

EZinstall ULTI Switches use British Standard electrical wall boxes making them simple to retrofit and install to complement any interior design.

## TECHNICAL INFORMATION

Catalogue Number	U201SR2KW	U202SR2KW
Line Voltage	<b>110-240VAC</b>	
Line Frequency	<b>50Hz/60Hz</b>	
Operating Frequency	<b>434MHz or 315MHz</b>	
Compatible Loads	<b>Low voltage halogen, incandescent and fluorescent lamps with power factor correction capacitor</b>	
Memory Locations	<b>Up to 8 remote controls may be associated with single dimmer device</b>	
Backlit O-Ring	<b>Amber or Blue, soft-key selectable</b>	
Load Rating	<b>1kVA@110V/2kVA@220V</b>	<b>2 x 500VA@110V/2 x 1kVA@220V</b>
Minimum Load	<b>25W</b>	
Mounting Centres	<b>60.3mm</b>	
Dimensions	<b>87mm(H) x 87mm(W) x 40mm(D)</b>	
Operating Temperature Range	<b>0°C to 40°C</b>	
Operating Humidity Range	<b>0 - 95% RH</b>	
Compliance	<b>IEC 60669-2-1</b>	



U201SR2KW illustrated



U201SR2KW CG1

## PRODUCT FEATURES

- Ultra-slim design with true changeable cover mechanism.
- 2-wire true retrofit design enables direct replacement.
- Fully compatible with British Standard wall boxes, no special mounting accessories required.
- Light touch buttons equipped with LED backlight, allow users to locate the switch in a dark environment.
- Tactile switch.
- Built-in RF receiver enables remote switching and dimming of light switches.
- Distributed intelligent configuration eliminates the requirement for central controllers, users are able to control lighting circuits on/off and lighting intensity locally as well as by remote control.
- Compliant with requirements of European Community Countries for Electromagnetic compliance.

### CATALOGUE NUMBER DESCRIPTION

<b>U201SR2KW 000</b>	1 Gang 2000VA Switch, 100/240V, 50/60Hz, Module, Gift Box
<b>U202SR2KW 000</b>	2 Gang 2x1000VA Switch, 100/240V, 50/60Hz, Module, Gift Box
<b>U201SR2KW 001</b>	1 Gang 2000VA Switch, 100/240V, 50/60Hz, Module, Gift Box
<b>U202SR2KW 001</b>	2 Gang 2x1000VA Switch, 100/240V, 50/60Hz, Module, Gift Box

### Frequency and Cover Selection:

Frequency	Gift Box	Project Pack
<b>434MHz</b>	<b>001</b>	<b>001 10X</b>
<b>315MHz</b>	<b>000</b>	<b>000 10X</b>

### Universal Voltage Switches Without Cover:

#### 434MHz

<b>U201SR2KW 001 10X</b>	1 Gang 2000VA Switch, 100/240V, 50/60Hz, Cover Ordered Separately (Box of 10)
<b>U202SR2KW 001 10X</b>	2 Gang 2x1000VA Switch, 100/240V, 50/60Hz, Cover Ordered Separately (Box of 10)

#### 315MHz

<b>U201SR2KW 000 10X</b>	1 Gang 2000VA Switch, 100/240V, 50/60Hz, Cover Ordered Separately (Box of 10)
<b>U202SR2KW 000 10X</b>	2 Gang 2x1000VA Switch, 100/240V, 50/60Hz, Cover Ordered Separately (Box of 10)

Refer to Switch Cover Plates for Cover Selection

### Décor Spacer Set

<b>UAX-001</b>	Décor Spacer Set for Switches and Dimmers Beginning with U2XXXXXXX, 8mm & 15mm, Transparent Grey
----------------	--

# Universal Dimmers

## EMC Compliant

EZinstall ULTI Family Universal Dimmers are two-wire true retrofit design which enables direct replacement of standard mechanical electrical switches without additional cabling or rewiring. A built-in RF receiver enables direct remote control to dimmers with scene or individual circuit control on/off feature. EZinstall ULTI Dimmers are available as 600W ratings, compatible with incandescent and low-voltage halogen lighting.

EZinstall ULTI Dimmers are available in a wide range of finishes and styles, and feature European design elegance. In addition, the units feature blue or amber LED O-ring backlight with easy-to-use push buttons for on/off switching and dimming. The dimmers can be controlled from any pre-programmed remote control units.

EZinstall ULTI Dimmers use British Standard electrical wall boxes making them simple to retrofit and install to complement any interior design.



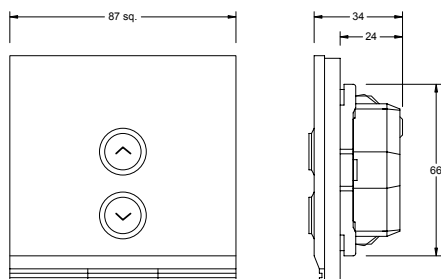
**U201DST600 PW1**

### TECHNICAL INFORMATION

Catalogue Number	U201DST600	U202DST600
Line Voltage	<b>200-240VAC</b>	
Line Frequency	<b>50Hz/60Hz</b>	
Operating Frequency	<b>434MHz or 315MHz</b>	
Compatible Loads	<b>Low voltage halogen, incandescent lamps</b>	
Memory Locations	<b>Up to 8 remote controls may be associated with single dimmer device</b>	
Backlit O-Ring	<b>Amber or Blue, soft-key selectable</b>	
Load Rating	<b>600W</b>	<b>400W (Max. 600W per dimmer)</b>
Minimum Load	<b>25W per channel</b>	
Mounting Centres	<b>60.3mm</b>	
Dimensions	<b>87mm(H) x 87mm(W) x 35mm(D)</b>	
Operating Temperature Range	<b>0° C to 40° C</b>	
Operating Humidity Range	<b>0 - 95% RH</b>	
Compliance	<b>IEC 60669-2-1</b>	

### PRODUCT FEATURES

- Ultra-slim design with true changeable cover mechanism.
- 2-wire true retrofit design enables direct replacement
- Fully compatible with British Standard wall boxes, no special mounting accessories required.
- Light touch buttons equipped with LED backlight, allow users to locate the switch in a dark environment.
- Tactile switch.
- Built-in RF receiver enables remote switching and dimming of light switches.
- Distributed intelligent configuration eliminates the requirement for central controllers, users are able to control lighting circuits on/off and lighting intensity locally as well as by remote control.
- Compliant with requirements of European Community Countries for Electromagnetic compliance.



**U201DST600 illustrated**

### CATALOGUE NUMBER DESCRIPTION

<b>U201DST600 000</b>	1 Gang 600W Dimmer, 200/240V, 50/60Hz, Module, Gift Box
<b>U202DST600 000</b>	2 Gang 2x300W Dimmer, 200/240V, 50/60Hz, Module, Gift Box
<b>U201DST600 001</b>	1 Gang 600W Dimmer, 200/240V, 50/60Hz, Module, Gift Box
<b>U202DST600 001</b>	2 Gang 2x300W Dimmer, 200/240V, 50/60Hz, Module, Gift Box

### Frequency and Cover Selection:

Frequency	Gift Box	Project Pack
<b>434MHz</b>	<b>001</b>	<b>001 10X</b>
<b>315MHz</b>	<b>000</b>	<b>000 10X</b>

### Universal Voltage Switches Without Cover:

#### 434MHz

<b>U201DST600 001 10X</b>	1 Gang 600W Dimmer, 200/240V, 50/60Hz, Cover Ordered Separately (Box of 10)
<b>U202DST600 001 10X</b>	2 Gang 2x300W Dimmer, 200/240V, 50/60Hz, Covers Ordered Separately (Box of 10)

#### 315MHz

<b>U201DST600 000 10X</b>	1 Gang 600W Dimmer, 200/240V, 50/60Hz, Cover Ordered Separately (Box of 10)
<b>U202DST600 000 10X</b>	2 Gang 2x300W Dimmer, 200/240V, 50/60Hz, Covers Ordered Separately (Box of 10)

Refer to Dimmer Cover Plates for Cover Selection

### Décor Spacer Set

<b>UAX-001</b>	Décor Spacer Set for Switches and Dimmers Beginning with U2XXXXXXX, 8mm & 15mm, Transparent Grey
----------------	--

# Fluorescent Dimmers

EZinstall ULTI Family Fluorescent Dimmers enable dimming control to analogue input ballast controlled lighting load. A built-in RF receiver enables direct remote control to dimmers with scene or individual circuit control on/off feature. EZinstall ULTI Fluorescent Dimmers are available as 5A ratings switch outputs, compatible with most of 0-10V or 1-10V analogue ballast for fluorescent, LED and HID light fittings.

EZinstall ULTI Fluorescent Dimmers are available in a wide range of finishes and styles, and feature European design elegance. In addition, the units feature blue or amber LED O-ring backlight on the switch with easy-to-use push buttons for on/off switching and dimming. The fluorescent dimmers can be controlled from any pre-programmed remote control units.

EZinstall ULTI Fluorescent Dimmers use British Standard electrical wall boxes making them simple to retrofit and install to complement any interior design.



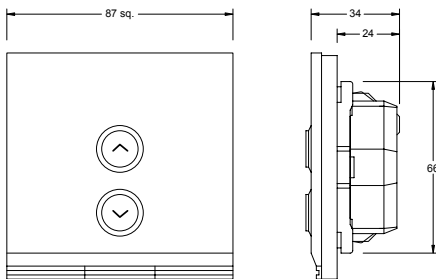
**U201DSF05A CG1**

## TECHNICAL INFORMATION

Catalogue Number	U201DSF05A	U202DSF05A
Line Voltage	200-240VAC	
Line Frequency	50Hz/60Hz	
Operating Frequency	434MHz or 315MHz	
Compatible Loads	Analogue signal input ballast with fluorescent, LED and HID lighting fitting	
Memory Locations	Up to 8 remote controls may be associated with single dimmer device	
Backlit O-Ring	Amber or Blue, soft-key selectable	
Load Rating	5AX	2 x 5AX
Analogue Output	0-10V or 1-10V, soft key selectable (Max. of 10mA)	
Mounting Centres	60.3mm	
Dimensions	87mm(H) x 87mm(W) x 35mm(D)	
Operating Temperature Range	0°C to 40°C	
Operating Humidity Range	0 - 95% RH	
Compliance	IEC 60669-2-1	

## PRODUCT FEATURES

- Ultra-slim design with true changeable cover mechanism.
- Fully compatible with British Standard wall boxes, no special mounting accessories required.
- Light touch buttons equipped with LED backlight, allow users to locate the switch in a dark environment.
- Tactile switch.
- Built-in RF receiver enables remote switching and dimming of light switches.
- Distributed intelligent configuration eliminates the requirement for central controllers, users are able to control lighting circuits on/off and lighting intensity locally as well as by remote control.
- Compliant with requirements of European Community Countries for Electromagnetic compliance.



**U201DSF05A illustrated**

CATALOGUE NUMBER	DESCRIPTION
<b>U201DSF05A 000</b>	1 Gang, 5A Fluorescent Dimmer, 100/240V, 50/60Hz, Module, Gift Box
<b>U202DSF10A 000</b>	2 Gang, 2x5A Fluorescent Dimmer, 100/240V, 50/60Hz, Module, Gift Box
<b>U201DSF05A 001</b>	1 Gang, 5A Fluorescent Dimmer, 100/240V, 50/60Hz, Module, Gift Box
<b>U202DSF10A 001</b>	2 Gang, 2x5A Fluorescent Dimmer, 100/240V, 50/60Hz, Module, Gift Box

Frequency and Cover Selection:			
Frequency	Gift Box	Project Pack	
<b>434MHz</b>	<b>001</b>	<b>001 10X</b>	
<b>315MHz</b>	<b>000</b>	<b>000 10X</b>	

Fluorescent Dimmers Without Cover:	
<b>434MHz</b>	
<b>U201DSF05A 001 10X</b>	1 Gang, 5A Fluorescent Dimmer, 100/240V, 50/60Hz, Cover Ordered Separately (Box of 10)
<b>U202DSF10A 001 10X</b>	2 Gang, 2x5A Fluorescent Dimmer, 100/240V, 50/60Hz, Cover Ordered Separately (Box of 10)
<b>315MHz</b>	
<b>U201DSF05A 000 10X</b>	1 Gang, 5A Fluorescent Dimmer, 100/240V, 50/60Hz, Cover Ordered Separately (Box of 10)
<b>U202DSF10A 000 10X</b>	2 Gang, 2x5A Fluorescent Dimmer, 100/240V, 50/60Hz, Cover Ordered Separately (Box of 10)

*Refer to Dimmer Cover Plates for Cover Selection*

Décor Spacer Set	
<b>UAX-001</b>	Décor Spacer Set for Switches and Dimmers Beginning with U2XXXXXXX, 8mm & 15mm, Transparent Grey

# Lamp Dimmer

EZinstall ULTI Family Lamp Dimmers enable users to integrate floor and table lamps to form part of a total lighting solution. The dimmers are compatible with incandescent and low voltage halogen lighting products and can be controlled from a Clip-On Remote unit or any pre-programmed remote control.

### TECHNICAL INFORMATION

Catalogue Number	<b>U101DFR400 (Lamp Dimmer)</b>
Memory	<b>8 Remote Controller Units + 1 Clip-on Remote</b>
Control Functions	<b>Toggle On/Off, adjust lighting intensity</b>
Load Type	<b>Incandescent, LV halogen with magnetic transformer, LV halogen with dimmable electronic transformer</b>
Minimum Load	<b>25W</b>
Maximum Load	<b>400W</b>
Operating Temperature Range	<b>0° C to 40° C</b>
Operating Humidity Range	<b>0 - 95%</b>
Line Voltage	<b>220-240VAC, +/- 10%</b>
Line Frequency	<b>Available in 50Hz +/- 1Hz &amp; 60Hz +/- 1Hz</b>
Dimensions (Main unit without power cable)	<b>135mm(L) x 34mm(W) x 33mm(H)</b>
Receiver Frequency	<b>434MHz or 315MHz</b>
Net Weight	<b>225g</b>
Compliance	<b>Safety Standard of IEC 60669-2-1</b>

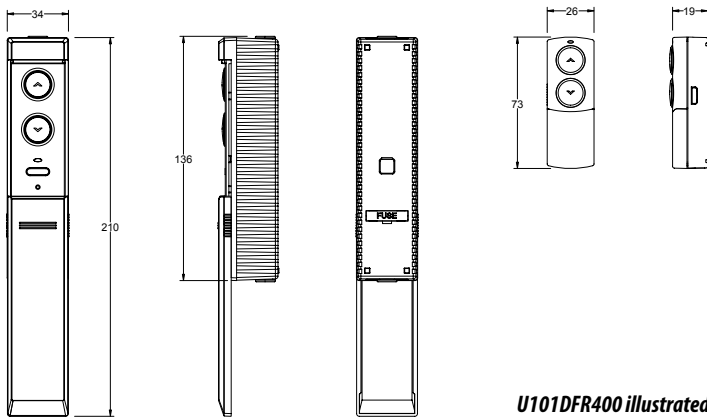
Catalogue Number	<b>U101DFR400 (Clip-On Remote)</b>
Battery Button	<b>Cell Battery CR2032</b>
Control Functions	<b>Toggle On/Off, adjust lighting intensity</b>
Remote Control Distance	<b>15m</b>
Operating Frequency	<b>434MHz or 315MHz</b>
Dimensions	<b>73mm(L) x 26mm(W) x 20mm(H)</b>
Net Weight	<b>20g (without battery)</b>



**U101DFR400 XBL1**

### PRODUCT FEATURES

- Clip-on mechanism of Clip-On Remote unit enables users to clip remote unit onto the power cable for easy access.
- Built-in RF receiver enables remote switching and dimming.
- Distributed intelligent configuration eliminates the requirement for central controllers, users are able to control lighting circuits on/off and lighting intensity locally as well as by remote control.



CATALOGUE NUMBER	DESCRIPTION
<b>434MHz</b>	
<b>U101DFR400 XBL1</b>	Lamp Dimmer, 13A Socket with Clip-On Remote, 400W, 200/240V, 50/60Hz
<b>315MHz</b>	
<b>U101DFR400 XBL</b>	Lamp Dimmer 13A Socket, with Clip-On Remote, 400W, 200/240V, 50/60Hz
<b>U101DFR400 XBLC</b>	Lamp Dimmer China Socket, with Clip-On Remote, 400W, 200/240V, 50/60Hz

# Double Pole Switches

EZinstall ULTI Family Double Pole Switches are true retrofit design which enables direct replacement of standard mechanical electrical switches without additional cabling or rewiring. A built-in RF receiver enables direct remote control to switches with scene or individual circuit control feature. EZinstall ULTI Double Pole Switches are available as 16A and 5A ratings, compatible with any resistive and inductive loading.

EZinstall ULTI Double Pole Switches are available in a wide range of finishes and styles, and feature European design elegance. In addition, the units feature software key selectable blue or amber LED O-ring backlight with easy-to-use push buttons for on/off switching. The Double Pole Switches can be controlled from any pre-programmed remote control units.

EZinstall ULTI switches use British Standard electrical wall boxes making them simple to retrofit and install to complement any interior design.

### TECHNICAL INFORMATION

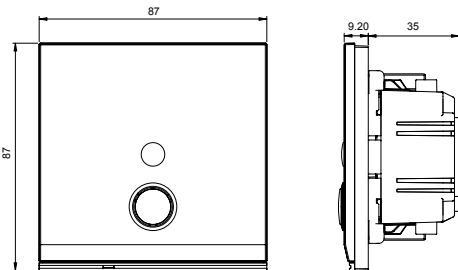
Catalogue Number	U201DSP16A	U202DSP10A
Line Voltage	200-240VAC	
Line Frequency	50/60Hz	
Operating Frequency	434MHz or 315MHz	
Compatible Loads	Any resistive or inductive load	
Memory Locations	Up to 8 remote controls may be associated with single dimmer device	
Backlit O-Ring	Amber or Blue, soft-key selectable	
Load Rating	3600VA	2 x 1000VA
Minimum Load	N/A	
Mounting Centres	60.3mm	
Dimensions	87mm(H) x 87mm(W) x 46mm(D)	
Operating Temperature Range	0° C to 40° C	
Operating Humidity Range	0 - 95% RH	
Compliance	IEC 60669-2-1	



U201SDP16A

### PRODUCT FEATURES

- Ultra-slim design with true changeable cover mechanism.
- True retrofit design enables direct replacement.
- Fully compatible with British Standard wall boxes, no special mounting accessories required.
- Light touch buttons equipped with LED backlight, allow users to locate the switch in a dark environment.
- Red status indicator.
- Tactile switch.
- Built-in RF receiver enables remote switching and dimming of light switches.
- Distributed intelligent configuration eliminates the requirement for central controllers, users are able to control lighting circuits on/off and lighting intensity locally as well as by remote control.
- Compliant with requirements of European Community Countries for Electromagnetic compliance.



U201SDP16A illustrated

CATALOGUE NUMBER	DESCRIPTION
U201SDP16A 000	1 Gang 3600VA Double Pole Switch, with Pilot Light, 200/240V, 50/60Hz, Module, Gift Box
U202SDP10A 000	2 Gang 2x1100VA Double Pole Switch, with Pilot Light, 200/240V, 50/60Hz, Module, Gift Box
U201SDP16A 001	1 Gang 3600VA Double Pole Switch, with Pilot Light, 200/240V, 50/60Hz, Module, Gift Box
U202SDP10A 001	2 Gang 2x1100VA Double Pole Switch, with Pilot Light, 200/240V, 50/60Hz, Module, Gift Box

Frequency and Cover Selection:			
Frequency	Gift Box	Project Pack	
434MHz	001	001 10X	
315MHz	000	000 10X	

Double Pole Switches Without Cover:	
<b>434MHz</b>	
U201SDP16A 001 10X	1 Gang 3600VA Double Pole Switch, with Pilot Light, 200/240V, 50/60Hz, Cover Ordered Separately (Box of 10)
U202SDP10A 001 10X	2 Gang 2x1100VA Double Pole Switch, with Pilot Light, 200/240V, 50/60Hz, Cover Ordered Separately (Box of 10)
<b>315MHz</b>	
U201SDP16A 000 10X	1 Gang 3600VA Double Pole Switch, with Pilot Light, 200/240V, 50/60Hz, Cover Ordered Separately (Box of 10)
U202SDP10A 000 10X	2 Gang 2x1100VA Double Pole Switch, with Pilot Light, 200/240V, 50/60Hz, Cover Ordered Separately (Box of 10)

Refer to Double Pole Switch Cover Plates for Cover Selection

Décor Spacer Set	
UAX-001	Décor Spacer Set for Switches and Dimmers Beginning with U2XXXXXXX, 8mm & 15mm, Transparent Grey

# Curtain Switches

EZinstall ULTI Family Curtain Switches are designed to enable a three position control for curtain motors (open, close and stop). A built-in RF receiver enables direct remote control to motors with scene or individual circuit control on/off feature. EZinstall ULTI Curtain Switches are available as 300VA ratings (dry contact output), compatible with most low voltage and extra low voltage controlled curtain motors.

EZinstall ULTI Curtain Switches are available in a wide range of finishes and styles, and feature European design elegance. In addition, the units feature blue or amber LED O-ring backlight with easy-to-use push buttons. The Curtain Switches can be controlled from any pre-programmed remote control units.

EZinstall ULTI Curtain Switches use British Standard electrical wall boxes making them simple to retrofit and install to complement any interior design.



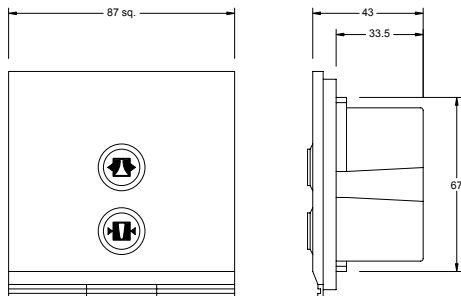
**U201SCN02A**

## TECHNICAL INFORMATION

Catalogue Number	U201SCN02A	U202SCN04A
Line Voltage	<b>100-240VAC</b>	
Line Frequency	<b>50/60Hz</b>	
Operating Frequency	<b>434MHz or 315MHz</b>	
Compatible Loads	<b>Any motor load</b>	
Memory Locations	<b>Up to 8 remote controls may be associated with single dimmer device</b>	
Backlit O-Ring	<b>Amber or Blue, soft-key selectable</b>	
Load Rating	<b>300VA</b>	<b>2 x 300VA</b>
Minimum Load	<b>N/A</b>	
Mounting Centres	<b>60.3mm</b>	
Dimensions	<b>87mm(H) x 87mm(W) x 44mm(D)</b>	
Operating Temperature Range	<b>0° C to 40° C</b>	
Operating Humidity Range	<b>0 - 95% RH</b>	
Compliance	<b>IEC 60669-2-1</b>	

## PRODUCT FEATURES

- Ultra-slim design with true changeable cover mechanism.
- Fully compatible with British Standard wall boxes, no special mounting accessories required.
- Light touch buttons equipped with LED backlight, allow users to locate the switch in a dark environment.
- Automatic load cut-off after 1 minute.
- Tactile switch.
- Built-in RF receiver enables remote switching functions.
- Compliant with requirements of European Community Countries for Electromagnetic compliance.



**U201SCN02A illustrated**

CATALOGUE NUMBER	DESCRIPTION
<b>U201SCN02A 000</b>	1 Gang 300VA Curtain Switch, 100/240V, 50/60Hz, Module, Gift Box
<b>U202SCN04A 000</b>	2 Gang 2x300VA Curtain Switch, 100/240V, 50/60Hz, Module, Gift Box
<b>U201SCN02A 001</b>	1 Gang 300VA Curtain Switch, 100/240V, 50/60Hz, Module, Gift Box
<b>U202SCN04A 001</b>	2 Gang 2x300VA Curtain Switch, 100/240V, 50/60Hz, Module, Gift Box

### Frequency and Cover Selection

Frequency	Gift Box	Project Pack
<b>434MHz</b>	<b>001</b>	<b>001 10X</b>
<b>315MHz</b>	<b>000</b>	<b>000 10X</b>

### Curtain Switches Without Cover

434MHz	
<b>U201SCN02A 001 10X</b>	1 Gang 300VA Curtain Switch, 100/240V, 50/60Hz, Cover Ordered Separately (Box of 10)
<b>U202SCN04A 001 10X</b>	2 Gang 2x300VA Curtain Switch, 100/240V, 50/60Hz, Cover Ordered Separately (Box of 10)
315MHz	
<b>U201SCN02A 000 10X</b>	1 Gang 300VA Curtain Switch, 100/240V, 50/60Hz, Cover Ordered Separately (Box of 10)
<b>U202SCN04A 000 10X</b>	2 Gang 2x300VA Curtain Switch, 100/240V, 50/60Hz, Cover Ordered Separately (Box of 10)

Refer to Curtain Switch Cover Plates for Cover Selection

### Décor Spacer Set

<b>UAX-001</b>	Décor Spacer Set for Switches and Dimmers Beginning with U2XXXXXXX, 8mm & 15mm, Transparent Grey
----------------	--

# FreeLocate Switches

EZinstall ULTI Family FreeLocate Switches are battery powered Radio Frequency (RF) transmitters for remote switching of lighting scenes or devices. FreeLocate switches can be fixed at any location within the premises and can be used for multi-way switching and scene control.

FreeLocate switches operate with EZinstall ULTI switches and dimmers. By maintaining the unique aesthetics of the ULTI Family, the FreeLocate switches easily complements the EZinstall ULTI Family range of switches and dimmers.

FreeLocate Switches increase the flexibility of locating switches, and is also a cost-effective means of implementing multi-way switching.



**U106RWM001 XGL1**

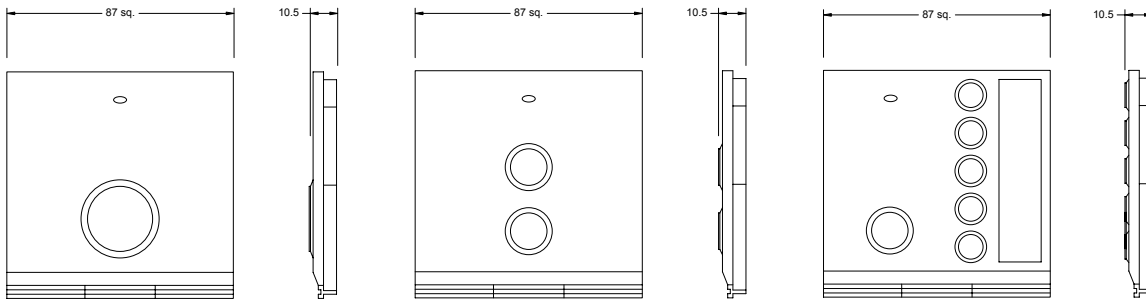
### TECHNICAL INFORMATION

Catalogue Number	U101RWM001	U102RWM001	U106RWM001
Scenes/Device Setting	<b>2 Scenes or 1 device</b>	<b>2 Scenes or devices</b>	<b>5 scenes or devices</b>
Delay activated scenes	<b>2</b>	<b>N/A</b>	
Programmable Delay Setting	<b>15, 30 or 45 seconds</b>	<b>N/A</b>	
All Off Button	<b>N/A</b>		<b>Yes</b>
Battery Type	<b>3V, CR2032</b>		
Operating Frequency	<b>434MHz or 315MHz</b>		
Memory Locations	<b>Any number of EZinstall ULTI switches and dimmers may be associated with single freelocate switch</b>		
Operating Range	<b>60m (open space)</b>		
Mounting Centres	<b>60.3mm</b>		
Dimensions	<b>Plastic: 87mm(H) x 87mm(W) x 10.5mm(D) Glass: 87mm(H) x 87mm(W) x 12mm(D)</b>		
Operating Temperature Range	<b>0°C to 40°C</b>		
Operating Humidity Range	<b>0 - 95% RH</b>		

### PRODUCT FEATURES

- Detachable for free moving control application.
- LED indicator for transmission and low power status indication.
- Control infinite number of EZinstall switches and dimmers.
- Pre-printed labels for unit and function identification.
- Compliant with requirements of European Community Countries for Electromagnetic compliance.

**Note:** The performance of the operating range is subject to the testing conditions. Normally, longer range can be achieved outdoors than indoors since obstacles like walls and metal shelves may shorten the operating range.



**U101RWM001 illustrated**

**U102RWM001 illustrated**

**U106RWM001 illustrated**

### CATALOGUE NUMBER DESCRIPTION

<b>U101RWM001</b>	1-Key FreeLocate Switch, 2+2 Scenes, Battery Operated, without Glass Cover
<b>U102RWM001</b>	2-Key FreeLocate Switch, 2 Scenes, Battery Operated
<b>U106RWM001</b>	6-Key FreeLocate Switch, 5 Scenes, Battery Operated

### Frequency and Cover Selection:

Frequency	Brushed Silver	Pearl White	Champagne Gold	Crystal Glass
<b>434MHz</b>	<b>XBS1</b>	<b>XPW1</b>	<b>XCG1</b>	<b>XGL1</b>
<b>315MHz</b>	<b>XBS</b>	<b>XPW</b>	<b>XCG</b>	<b>XGL</b>

\* Crystal Glass cover is available for U102RWM001 & U106RWM001 units only.

### Switch Bracket

<b>UAX-003</b>	FreeLocate Switch Bracket, Lockable, Black
<b>UAX-001</b>	Décor Spacer Set for Switches and Dimmers Beginning with U2XXXXXXX, 8mm & 15mm, Transparent Grey
<b>UAX-004</b>	0.47µF Capacitor for Switches and Dimmers Beginning with U2XXXXXXX

# Remote Controls

EZinstall ULTI Family Handheld Remote Controls are battery powered Radio Frequency (RF) transmitters for remote switching of lighting scenes or devices. These remote control units can be preset to switch devices or scenes. Each unit can accommodate up to 5 different scenes and devices (model dependent). It is also equipped with an "All Off" button for master switching.

The remote control operates with EZinstall ULTI switches and dimmers.

### TECHNICAL INFORMATION

Catalogue Number	U103RHH001	U105RHH001
Scenes/Device Setting	3 Scenes	5 Scenes & devices
Master Scene Button	Yes	N/A
Master Dimming	Yes	
All Off Button	Yes	
Battery Type	2 x 1.5V AA	
Operating Frequency	434MHz or 315MHz	
Memory Locations	Any number of EZinstall ULTI switches and dimmers may be associated with single remote control	
Operating Range	60m (open space)	
Dimensions	125mm(H) x 51mm(W) x 25mm(D)	
Operating Temperature Range	0° C to 40° C	
Operating Humidity Range	0 - 95% RH	

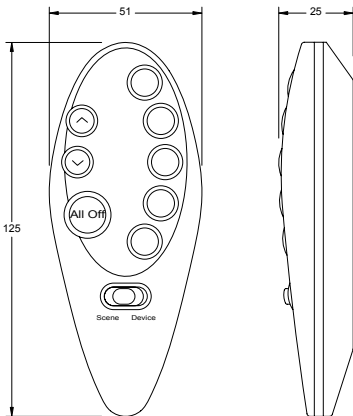
**Note:** The performance of the operating range is subject to the testing conditions. Normally, longer range can be achieved outdoors than indoors since obstacles like walls and metal shelves may shorten the operating range.



U105RHH001 BPW1

### PRODUCT FEATURES

- Selectable scenes and device control function for ease of operation.
- LED indicator indicates transmission and low power status.
- Controls an infinite number of EZinstall ULTI switches and dimmers.
- Pre-printed labels for unit and function identification.
- Compliant with the requirements of European Community Countries for Electromagnetic compliance.



U105RHH001 illustrated

### CATALOGUE NUMBER DESCRIPTION

#### 434MHz

U103RHH001 BPW1	3-Key Hand Held Remote Control, Battery Operated, Pearl White
U105RHH001 BPW1	5-Key Hand Held Remote Control, Battery Operated, Pearl White

#### 315MHz

U103RHH001 BPW	3-Key Hand Held Remote Control, Battery Operated, Pearl White
U105RHH001 BPW1	5-Key Hand Held Remote Control, Battery Operated, Pearl White

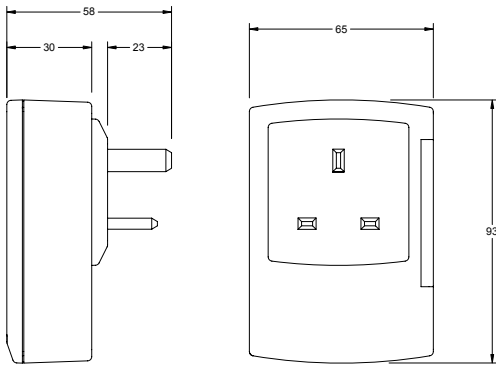
# Repeater

EZinstall ULTI Repeater is used in conjunction with EZinstall ULTI Family of RF switches, dimmers and remote controls. The repeater is a plug-in type design RF signal extension unit used to repeat the effective RF coverage range of Remote Controls and FreeLocate switches. A maximum of 5 units can be installed within one premise.

### TECHNICAL INFORMATION

Catalogue Number	<b>U10XARR001</b>
Line Voltage	<b>200-240VAC</b>
Line Frequency	<b>50/60Hz</b>
Operating Frequency	<b>434MHz or 315MHz</b>
Memory Locations	<b>8 numbers of remote units</b>
Connection Plug	<b>BS13A</b>
Dimensions	<b>65mm(W) x 93mm(H) x 58.2mm(D)</b>
Operating Temperature Range	<b>0°C to 40°C</b>
Operating Humidity Range	<b>0 - 95% RH</b>
Compliance	<b>IEC 60669-2-1</b>

**Note:** The performance of the operating range is subject to the testing conditions. Normally, longer range can achieved outdoors than indoors since obstacles like walls and metal shelves may shorten the operating range.



**U10XARR001 201 illustrated**



**U10XARR001**

### PRODUCT FEATURES

- Built-in RF signal receiver and transmitter extend RF signal coverage range of remote unit and FreeLocate switches.
- Plug-in unit design simplifies installation effort.
- 220VAC operated, fit into standard 13A British Standard wall socket power outlet.
- LED indicator indicates RF signals status of the unit.

CATALOGUE NUMBER	DESCRIPTION
<b>434MHz</b>	
<b>U10XARR001 201</b>	Repeater British Standard 13A Socket, RF, 220/240V, 50/60Hz, Pearl White
<b>315MHz</b>	
<b>U10XARR001 200</b>	Repeater British Standard 13A Socket, RF, 220/240V, 50/60Hz, Pearl White
<b>U10XARR001 210</b>	Repeater China Socket, RF, 220/240V, 50/60Hz, Pearl White

# Serial Interface

EZinstall Serial Interface is an extra low voltage RF remote unit used to enable remote control to EZinstall switches and dimmers via other automation systems and/or personal computer. The Serial Interface commands include both scenes and individual circuit control to EZinstall product range.

EZinstall Serial Interface can be easily integrated with Clipsal MinderPRO, Clipsal PremiseGateway™ and most industrial standard products with serial interface provision to form a complete automation system.

## TECHNICAL INFORMATION

Catalogue Number	<b>U10NRSI001</b>	<b>U10NRSI002</b>
Serial Connection	<b>Clipsal MinderPRO</b>	<b>DB9 serial male</b>
Line Voltage	<b>5-12VDC</b>	
Operating Frequency	<b>434MHz or 315MHz</b>	
Scene/Device Command	<b>40/40 (8 remote ID x 5 scene/device)</b>	
Operating Temperature Range	<b>0°C to 40°C</b>	
Operating Humidity Range	<b>0 - 95% RH</b>	

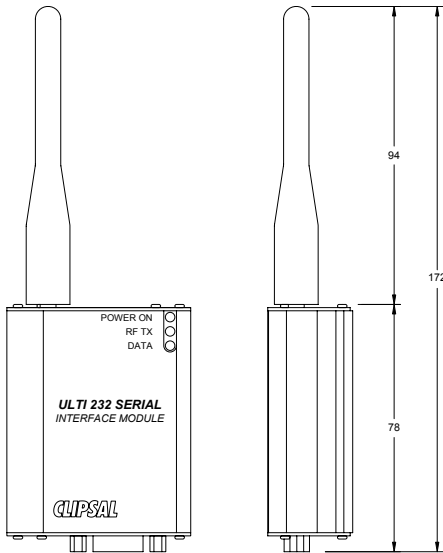
**Note:** The performance of the operating range is subject to the testing conditions. Normally, longer range can be achieved outdoors than indoors since obstacles like walls and metal shelves may shorten the operating range.



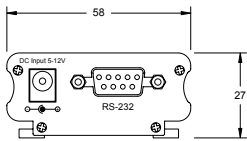
**U10NRSI002**

## PRODUCT FEATURES

- Built-in RF signal transmitter facilitates remote control through Clipsal MinderPRO or third party automation system.
- Mounting Bracket simplifies installation effort.
- LED indicator indicates RF signals status of the unit.



**U10NRSI002 XX1 illustrated**



CATALOGUE NUMBER	DESCRIPTION
<b>434MHz</b>	
<b>U10NRSI001 XX1</b>	RS232 Serial Interface Unit (Clipsal MinderPRO Compatible)
<b>U10NRSI002 XX1</b>	RS232 Serial Interface Unit DB9 with Housing
<b>315MHz</b>	
<b>U10NRSI001 XX0</b>	RS232 Serial Interface Unit (Clipsal MinderPRO Compatible)
<b>U10NRSI002 XX0</b>	RS232 Serial Interface Unit DB9 with Housing

# Switch Cover Plates

CATALOGUE NUMBER	DESCRIPTION
UC21SW	1 Gang Switch Cover Plate
UC22SW	2 Gang Switch Cover Plate

**Cover Selection**

Plastic			Glass		
Brushed Silver XBS	Pearl White XPW	Champagne Gold XCG	Crystal Glass XGL		

Metal					
Silver Mirror 301	Silver Hairline 302	Black Mirror 303	Black Hairline 304	Metallic Yellow 305	Metallic Light Blue 306



UC21SW 201

# Dimmer Cover Plates

CATALOGUE NUMBER	DESCRIPTION
UC21DM	1 Gang Dimmer Cover Plate
UC22DM	2 Gang Dimmer Cover Plate

*\*Suitable for EMC Compliant and Fluorescent Dimmer Modules.*

**Cover Selection**

Plastic			Glass		
Brushed Silver XBS	Pearl White XPW	Champagne Gold XCG	Crystal Glass XGL		

Metal					
Silver Mirror 301	Silver Hairline 302	Black Mirror 303	Black Hairline 304	Metallic Yellow 305	Metallic Light Blue 306



UC21DM 201

## Double Pole Switch Cover Plates

CATALOGUE NUMBER	DESCRIPTION
<b>UC21DP</b>	1 Gang Double Pole Switch Cover Plate
<b>UC22DP</b>	2 Gang Double Pole Switch Cover Plate

**Cover Selection**

Plastic			Glass		
<b>Brushed Silver</b> XBS	<b>Pearl White</b> XPW	<b>Champagne Gold</b> XCG	<b>Crystal Glass</b> XGL		

Metal					
<b>Silver Mirror</b> 301	<b>Silver Hairline</b> 302	<b>Black Mirror</b> 303	<b>Black Hairline</b> 304	<b>Metallic Yellow</b> 305	<b>Metallic Light Blue</b> 306



**UC21DP 201**

## Curtain Switch Cover Plates

CATALOGUE NUMBER	DESCRIPTION
<b>UC21CN</b>	1 Gang Curtain Switch Cover Plate
<b>UC22CN</b>	2 Gang Curtain Switch Cover Plate

**Cover Selection**

Plastic			Glass		
<b>Brushed Silver</b> XBS	<b>Pearl White</b> XPW	<b>Champagne Gold</b> XCG	<b>Crystal Glass</b> XGL		

Metal					
<b>Silver Mirror</b> 301	<b>Silver Hairline</b> 302	<b>Black Mirror</b> 303	<b>Black Hairline</b> 304	<b>Metallic Yellow</b> 305	<b>Metallic Light Blue</b> 306



**UC21CN 201**

# ULTI i.m.press™

The patent pending impress.mechanism represents a technological breakthrough with a button travel distance as little as 1.8mm. Pushing the button is almost effortless. Switches stay in the uniform position and can be swiftly and surely operated with a simple motion. The dolly maintains the same position whether on or off. For the first time, impress Mechanism sets free switch design for the utmost beauty and enables a flush-faced mechanical switch with a 250V rating.

## TECHNICAL INFORMATION

	1-Gang Switch	2-Gang Switch	3-Gang Switch
Operation	<b>Press Button</b>		
Rating	<b>16AX</b>		
Operating Temperature	<b>0°C to + 40°C</b>		
Operating Humidity	<b>0% to 95%</b>		
Operating Voltage & Frequency	<b>250V a.c., 50/60Hz</b>		
Cable Size	<b>2.5mm to 4.0mm</b>		
Mounting Centres	<b>60.3mm</b>		
Dimensions (H) x (W) x (D)	<b>87mm x 87mm x 35mm</b>		

## PRODUCT FEATURES

- Light-touch style push button design.
- Backlight behind the switch, easy to locate the switch in dark environment.
- LED indicator for illumination, 20 times longer life than traditional neon lamp indicator
- Modern outlook match with product range of the ULTI switches.
- Choice of crystal glass, Plastic, Metal panel cover combinations.
- Panel cover can be easily installed and released by actuating the lock button mechanism.
- Strong and rigid metal plate to support mounting.
- Adaptable to the ULTI 8mm and 15mm thick spacer for mounting.

### CATALOGUE NUMBER DESCRIPTION

#### Switches

<b>U201SPM/1</b>	1-Gang 250V 16AX 1-way i.press™ Switch Module
<b>U202SPM/1</b>	2-Gang 250V 16AX 1-way i.press™ Switch Module
<b>U204SPM/1</b>	4-Gang 250V 16AX 1-way i.press™ Switch Module

<b>U201SPM/2</b>	1-Gang 250V 16AX 2-way i.press™ Switch Module
<b>U202SPM/2</b>	2-Gang 250V 16AX 2-way i.press™ Switch Module
<b>U204SPM/2</b>	4-Gang 250V 16AX 2-way i.press™ Switch Module

#### Double Pole Switches

<b>U201SPM/DP</b>	1-Gang 250V 20A Double Pole i.m.press™ Switch Module
-------------------	--

#### Switches A-Format

<b>U201SPM/1</b>	1-Gang 250V 16AX 1 way i.m.press™ Switch Module, A-Format
<b>U202SPM/1</b>	2-Gang 250V 16AX 1 way i.m.press™ Switch Module, A-Format
<b>U204SPM/1</b>	4-Gang 250V 16AX 1 way i.m.press™ Switch Module, A-Format

<b>U201SPM/2</b>	1-Gang 250V 16AX 2 way i.m.press™ Switch Module, A-Format
<b>U202SPM/2</b>	2-Gang 250V 16AX 2 way i.m.press™ Switch Module, A-Format
<b>U204SPM/2</b>	4-Gang 250V 16AX 2 way i.m.press™ Switch Module, A-Format

#### LED Selection :

<b>A00</b>	<b>B00</b>
<b>Amber</b>	<b>Blue</b>

#### Cover Selection

Plastic			Glass		
<b>Brushed Silver XBS</b>	<b>Pearl White XPW</b>	<b>Champagne Gold XCG</b>	<b>Crystal Glass XGL</b>		
Metal					
<b>Silver Mirror 301</b>	<b>Silver Hairline 302</b>	<b>Black Mirror 303</b>	<b>Black Hairline 304</b>	<b>Metallic Yellow 305</b>	<b>Metallic Light Blue 306</b>

# i.m.press™ Switch Cover Plates

CATALOGUE NUMBER	DESCRIPTION
UC21SWP/P	1 Gang i.m.press™ Switch Cover Plate
UC22SWP/P	2 Gang i.m.press™ Switch Cover Plate
UC24SWP/P	4 Gang i.m.press™ Switch Cover Plate

Cover Selection			
Plastic			Glass
<b>Brushed Silver</b> XBS	<b>Pearl White</b> XPW	<b>Champagne Gold</b> XCG	<b>Crystal Glass</b> XGL

Metal					
<b>Silver Mirror</b> 301	<b>Silver Hairline</b> 302	<b>Black Mirror</b> 303	<b>Black Hairline</b> 304	<b>Metallic Yellow</b> 305	<b>Metallic Light Blue</b> 306

# Double Pole i.m.press™ Switch Cover Plates

CATALOGUE NUMBER	DESCRIPTION
UC21D/P	1 Gang Double Pole i.m.press™ Switch Cover Plate

Cover Selection			
Plastic			Glass
<b>Brushed Silver</b> XBS	<b>Pearl White</b> XPW	<b>Champagne Gold</b> XCG	<b>Crystal Glass</b> XGL

Metal					
<b>Silver Mirror</b> 301	<b>Silver Hairline</b> 302	<b>Black Mirror</b> 303	<b>Black Hairline</b> 304	<b>Metallic Yellow</b> 305	<b>Metallic Light Blue</b> 306

# i.m.press™ Switch Cover Plates, A-Format

CATALOGUE NUMBER	DESCRIPTION
UAC21SW/P	1 Gang i.m.press™ Switch Cover Plate, A-Format
UAC22SW/P	2 Gang i.m.press™ Switch Cover Plate, A-Format
UAC24SW/P	4 Gang i.m.press™ Switch Cover Plate, A-Format

Cover Selection			
Plastic			Glass
<b>Brushed Silver</b> XBS	<b>Pearl White</b> XPW	<b>Champagne Gold</b> XCG	<b>Crystal Glass</b> XGL

Metal					
<b>Silver Mirror</b> 301	<b>Silver Hairline</b> 302	<b>Black Mirror</b> 303	<b>Black Hairline</b> 304	<b>Metallic Yellow</b> 305	<b>Metallic Light Blue</b> 306

# NEO-X Switches

NEO-X Switches are two-wire true retrofit design which enables direct replacement of standard mechanical electrical switches without additional cabling or rewiring. A built-in RF receiver enables direct remote control to switches with scene or individual circuit control feature. Equipped with wireless C-Bus engine and operated with 1-way control topologies, NEO-X Switches are compliant with incandescent, fluorescent lighting, energy saving lamp and motor operation.

NEO-X Switches styles, and feature contemporary and sleek design. In addition, the units feature blue LED backlight with easy-to-push buttons for on/off switching. The switches use British Standard electrical wall boxes making them simple to retrofit and install to complement any interior design.



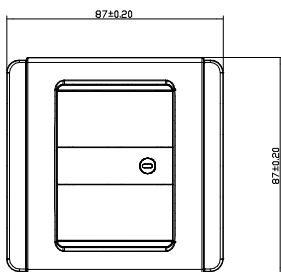
**E3851R8F1EC GB**

## TECHNICAL INFORMATION

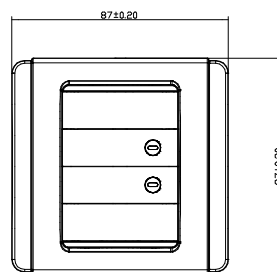
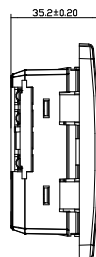
Description	1 Gang Switch	2 Gang Switch
Safety Compliance	<b>IEC 60669-2-1 / EMC compliance</b>	
Memory	<b>4 Remote Control Units</b>	
LED Backlight	<b>Blue color</b>	
Minimum Load	<b>25W</b>	<b>25W in either channel</b>
Load Rating	<b>2kVA</b>	
Operating Temperature	<b>0°C to 40°C</b>	
Operating Humidity	<b>0 to 95%</b>	
Operating Voltage & Frequency	<b>220V ~ 240V AC, 50/60Hz</b>	
Radio Frequency	<b>315MHz /434MHz</b>	
Mounting Center	<b>60.3mm</b>	
Dimensions	<b>87mm (H) x 87 mm (W) x 36mm (D)</b>	

## PRODUCT FEATURES

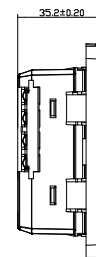
- Sleek and contemporary design
- 2-wire true retrofit design enables direct replacement
- Fully compatible with British Standard wall boxes, no special mounting accessories required.
- Light touch buttons equipped with LED backlight, allow users to locate the switch in a dark environment.
- Tactile switch.
- Built-in RF receiver enables remote switching and dimming of light switches.
- Distributed intelligent configuration eliminates the requirement for central controllers, users are able to control lighting circuits on/off and lighting intensity locally as well as by remote control unit.



**E3851R8F1EC illustrated**



**E3852R4F2EC illustrated**



CATALOGUE NUMBER	DESCRIPTION
<b>E3851R8F1EA GB</b>	NEO-X, 2-Wire, Wireless Wall Switch, 1 Gang, Relay, 2000VA, 434MHz, Grey
<b>E3851R8F1EA WE</b>	NEO-X, 2-Wire, Wireless Wall Switch, 1 Gang, Relay, 2000VA, 434MHz, White
<b>E3851R8F1EC GB</b>	NEO-X, 2-Wire, Wireless Wall Switch, 1 Gang, Relay, 2000VA, 315MHz, Grey (coming soon)
<b>E3851R8F1EC WE</b>	NEO-X, 2-Wire, Wireless Wall Switch, 1 Gang, Relay, 2000VA, 315MHz, White (coming soon)
<b>E3852R4F2EA GB</b>	NEO-X, 2-Wire, Wireless Wall Switch, 2 Gang, Relay, 2000VA, 434MHz, Grey
<b>E3852R4F2EA WE</b>	NEO-X, 2-Wire, Wireless Wall Switch, 2 Gang, Relay, 2000VA, 434MHz, White
<b>E3852R4F2EC GB</b>	NEO-X, 2-Wire, Wireless Wall Switch, 2 Gang, Relay, 2000VA, 315MHz, Grey (coming soon)
<b>E3852R4F2EC WE</b>	NEO-X, 2-Wire, Wireless Wall Switch, 2 Gang, Relay, 2000VA, 315MHz, White (coming soon)

\*NEO-X is operated with standalone independent 1-way control topologies for retrofitable wireless control application. It is not compatible with current C-Bus and Wireless C-Bus System.

# NEO-X Leading Edge Dimmer

NEO-X Leading Edge Dimmer are two-wire true retrofit design which enables direct replacement of standard mechanical electrical switches without additional cabling or rewiring. A built-in RF receiver enables direct remote control to Dimmers with scene or individual circuit control on / off feature. Equipped with wireless C-Bus engine and operated with 1-way control topologies, NEO-X Dimmers are compatible with incandescent and low-voltage halogen lighting.

NEO-X dimmers are available in a wide range of finishes and styles, and feature contemporary design style. In addition, the units feature blue LED backlight with easy-to-use push buttons for on/off switching and dimming. The dimmers can be controlled from any NEO-X remote control unit. Gives you one-touch scene control convenience.

NEO-X Dimmers use British Standard electrical wall boxes making them simple to retrofit and install to complement any interior design.



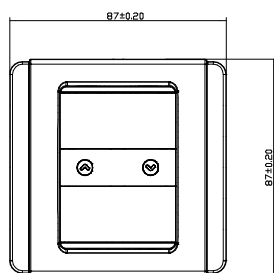
**E3852D2L1EC**

## PRODUCT FEATURES

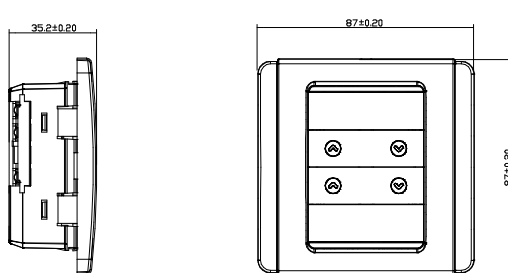
- Sleek and contemporary design
- 2-wire true retrofit design enables direct replacement
- Fully compatible with British Standard wall boxes, no special mounting accessories required.
- Light touch buttons equipped with LED backlight, allow users to locate the switch in a dark environment.
- Tactile switch.
- Built-in RF receiver enables remote switching and dimming of light switches.
- Distributed intelligent configuration eliminates the requirement for central controllers, users are able to control lighting circuits on/off and lighting intensity locally as well as by remote control Unit.

## TECHNICAL INFORMATION

Description	1 Gang 500VA NEO-X Leading Edge Dimmer	2 Gang 2 X 250VA NEO-X Leading Edge Dimmer
Safety & EMC Compliance	<b>IEC 60669-2-1 / EMC compliance</b>	
Memory	<b>4 Remote Control Units</b>	
LED Backlight	<b>Blue color</b>	
Minimum Load	<b>25VA</b>	<b>25VA in either Channel</b>
Load Rating	<b>500VA</b>	<b>500VA (Total)</b>
Operating Temperature	<b>0°C to 40°C</b>	
Operating Humidity	<b>0 to 95%</b>	
Operating Voltage & Frequency	<b>220V ~ 240V AC, 50Hz</b>	
Radio Frequency	<b>315MHz / 434MHz</b>	
Mounting Center	<b>60.3mm</b>	
Dimensions	<b>87mm (H) x 87 mm (W) x 36mm (D)</b>	



**E3852D2L1EC illustrated**



**E3852D2L2EC illustrated**

CATALOGUE NUMBER	DESCRIPTION
<b>E3852D2L1EA GB</b>	NEO-X, 2-Wire, 1 Gang, Leading Edge Dimmer, 500VA, 434MHz, Grey
<b>E3852D2L1EA WE</b>	NEO-X, 2-Wire, 1 Gang, Leading Edge Dimmer, 500VA, 434MHz, White
<b>E3852D2L1EC GB</b>	NEO-X, 2-Wire, 1 Gang, Leading Edge Dimmer, 500VA, 315MHz, Grey (coming soon)
<b>E3852D2L1EC WE</b>	NEO-X, 2-Wire, 1 Gang, Leading Edge Dimmer, 500VA, 315MHz, White (coming soon)
<b>E3852D1L2EA GB</b>	NEO-X, 2-Wire, 2 Gang, Leading Edge Dimmer, 500VA, 434MHz, Grey
<b>E3852D1L2EA WE</b>	NEO-X, 2-Wire, 2 Gang, Leading Edge Dimmer, 500VA, 434MHz, White
<b>E3852D1L2EC GB</b>	NEO-X, 2-Wire, 2 Gang, Leading Edge Dimmer, 500VA, 315MHz, Grey (coming soon)
<b>E3852D1L2EC WE</b>	NEO-X, 2-Wire, 2 Gang, Leading Edge Dimmer, 500VA, 315MHz, White (coming soon)

\*NEO-X is operated with standalone independent 1-way control topologies for retrofitable wireless control application. It is not compatible with current C-Bus and Wireless C-Bus System.

# NEO-X FreeLocate Switches

NEO-X, FreeLocate Switches are battery powered Radio Frequency (RF) transmitters for remote switching of lighting scenes or devices. Equipped with wireless C-Bus engine and operated with 1-way control topologies, the NEO-X FreeLocate Switches can be fixed at any location within the premises and can be used for multi-way switching and scene control.

NEO-X FreeLocate Switches operate with NEO-X switches and dimmers. By maintaining the unique aesthetics of the NEO family, the NEO-X FreeLocate Switches easily complement the NEO Family of switches and dimmers.

NEO-X FreeLocate Switches increase the flexibility of locating switches, and is also a cost-effective means of implementing multi-way switching.

### TECHNICAL INFORMATION

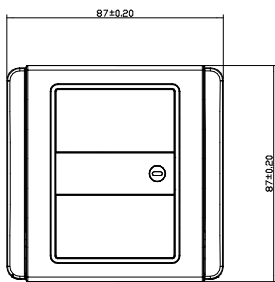
Description	1-Key FreeLocate Switch	4-Key FreeLocate Switch
Memory	1 scene / all off or 1 device	4 scenes or 4 devices
Battery Type	CR2032 button cell battery	
Operating Temperature	0°C to 40°C	
Operating Humidity	0 to 95%	
Radio Frequency	315MHz / 434MHz	
Operating Range	60m (Open environment)*	
Dimensions	87mmx87mmx14mm	



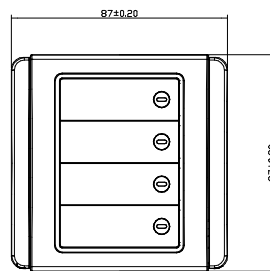
**E3851WTXBC GB**

### PRODUCT FEATURES

- Detachable for free moving control application
- LED indicator for transmission and low power status indication
- Control an infinite number of NEO-X switches and dimmers.



**E3851WTXBC illustrated**



**E3854WTXBC illustrated**



CATALOGUE NUMBER	DESCRIPTION
<b>E3851WTXBA GB</b>	NEO-X, Wireless, Wall Mount Remote Control Unit, 1-Key, 434MHz, Grey
<b>E3851WTXBA WE</b>	NEO-X, Wireless, Wall Mount Remote Control Unit, 1-Key, 434MHz, White
<b>E3851WTXBC GB</b>	NEO-X, Wireless, Wall Mount Remote Control Unit, 1-Key, 315MHz, Grey (coming soon)
<b>E3851WTXBC WE</b>	NEO-X, Wireless, Wall Mount Remote Control Unit, 1-Key, 315MHz, White (coming soon)
<b>E3854WTXBA GB</b>	NEO-X, Wireless, Wall Mount Remote Control Unit, 4-Key, 434MHz, Grey
<b>E3854WTXBA WE</b>	NEO-X, Wireless, Wall Mount Remote Control Unit, 4-Key, 434MHz, White
<b>E3854WTXBC GB</b>	NEO-X, Wireless, Wall Mount Remote Control Unit, 4-Key, 315MHz, Grey (coming soon)
<b>E3854WTXBC WE</b>	NEO-X, Wireless, Wall Mount Remote Control Unit, 4-Key, 315MHz, White (coming soon)

\*NEO-X is operated with standalone independent 1-way control topologies for retrofitable wireless control application. It is not compatible with current C-Bus and Wireless C-Bus System.

# NEO-X Hand-Held Remote Control Unit

NEO-X Handheld Remote Controls are battery powered Radio Frequency (RF) transmitters for remote switching for lighting scenes or devices. Equipped with wireless C-bus engine and operated with 1-way control topologies, these remote control unit can be preset to switch devices or scenes. Each unit can accommodate up to 5 different scenes and devices. It is also equipped with an "All Off" button for master switching.

The remote control operates with NEO-X switches and dimmers.

### TECHNICAL INFORMATION

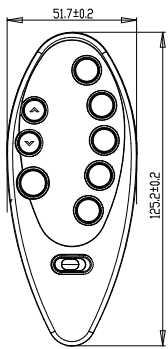
Description	Hand-Held Remote Control Unit
Memory	<b>5 scenes or 5 devices, Master Dim Up/Down and All-Off</b>
Battery Type	<b>2 x AAA batteries</b>
Operating Temperature	<b>0°C to 40°C</b>
Operating Humidity	<b>0 to 95%</b>
Radio Frequency	<b>315MHz / 434MHZ</b>
Operating Range	<b>60m (Open environment)*</b>
Dimensions	<b>125mmx51mmx25mm</b>



**3855TXBC GB**

### PRODUCT FEATURES

- Selectable scenes and device control function for easy operation.
- LED indicator indicates transmission and lower power status.
- Control an infinite number of NEO-X switches and dimmers.
- Pre-printed labels for unit and function identification.



**3855TXBC illustrated**

CATALOGUE NUMBER	DESCRIPTION
<b>3855TXBA GB</b>	Neo-X, Wireless, 5 Scene Hand-Held Remote Control Unit, 434MHz
<b>3855TXBC GB</b>	Neo-X, Wireless, 5 Scene Hand-Held Remote Control Unit, 315MHz (coming soon)

\*NEO-X is operated with standalone independent 1-way control topologies for retrofitable wireless control application. It is not compatible with current C-Bus and Wireless C-Bus System.

# Bedside Console

The ULTI Bedside Console communicates with the ULTI series hotel room control units via radio frequency (RF) to provide a complete guest room control solution. The Bedside Console with customised icons enables scene setting, individual circuit on/off control and toggle operations.

Each unit features illuminate LED O-ring backlight buttons with an automatic time delay off feature to reduce any unnecessary disturbances to the guests. In addition, the bedside console's easy-to-use push buttons can be customised to perform various in room functions such as on/off switching, dimming and curtain control.

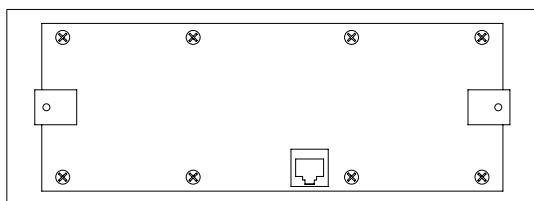
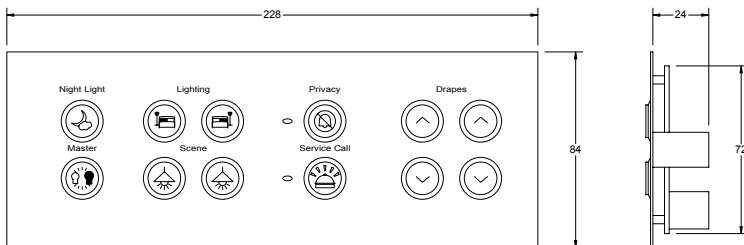


## TECHNICAL INFORMATION

Power	<b>12VDC input</b>
Communication Frequency	<b>434MHz or 315MHz</b>
Keys	<b>Customised to requirements</b>
Icons	<b>Customised to requirements</b>
Panel Material	<b>Crystal Glass, Stainless Steel or other material agreed by Clipsal</b>
Panel Colour	<b>Customised to requirements</b>
Backlit Colour	<b>Amber or Blue (Automatic delay off after pre-defined time delay)</b>
Control Features	<b>Customisable to the following functions: Scenes Command On/Off Toggle Operation Pre-defined circuit dimming Master On/Off Master Dimming</b>
Mounting	<b>Flush Mount</b>
Dimensions	<b>Customised to requirements</b>
Operating Temperature Range	<b>0° C to 40° C</b>
Operating Humidity Range	<b>0 - 95% RH</b>

## PRODUCT FEATURES

- Convenient control of all electrical guestroom amenities.
- Customisable buttons, icons and panel finish.
- Automatic time delay off.
- Light touch buttons equipped with LED backlight enables guests to locate switch in a dark environment.
- Built-in RF transmitter/receiver enables remote switching and dimming functions.
- Customised scene or individual circuit control increases the flexibility to change lighting moods.
- Wireless connectivity reduces the hassle of managing conduit and wiring of the unit.
- Compliant with requirements of European Community Countries for Electromagnetic Compliance.



CATALOGUE NUMBER	DESCRIPTION
<b>Made to Order</b>	RF Bedside 020L (Left Side), Amber Backlit, Stainless Steel (Sample Unit)
<b>Made to Order</b>	RF Bedside 020R (Right Side), Amber Backlit, Stainless Steel (Sample Unit)

*\*Available in 434MHz or 315MHz frequencies.*

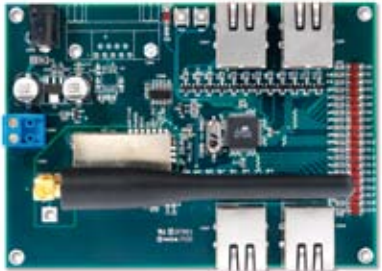
# Universal Input/Output Modules

The Universal Input/Output Module communicates with the EZinstall family switches, dimmers and bedside console via radio frequency to create a complete guestroom control solution. This module controls ULTI series courtesy panels through a built-in logic engine that relates guestroom control functions to the bedside console and vice-versa.

The Input/Output Module enables the programming of specific lighting ambience to greet or welcome guests as they enter the room or when the room is being occupied.

## TECHNICAL INFORMATION

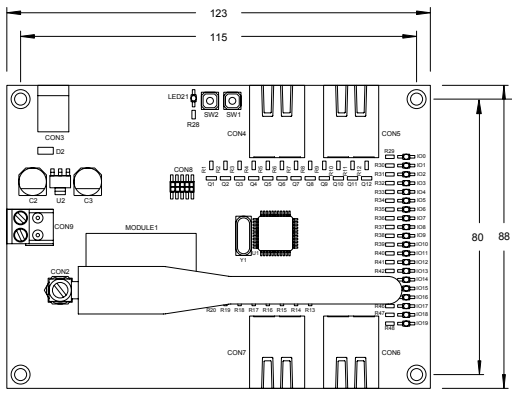
Catalogue Number	<b>U20NRUD003</b>
Power	<b>12VDC input</b>
Communication Frequency	<b>434MHz or 315MHz</b>
Control Features	<b>Pre-defined Scene Setting Command Off Bell Disable Status LED Display Control Built-in Logic Engine</b>
Input/Output	<b>20 programmable Input/Output</b>
Connection	<b>4 x RJ45</b>
Dimensions	<b>124mm x 89mm</b>
Operating Temperature Range	<b>0° C to 40° C</b>
Operating Humidity Range	<b>0 - 95% RH</b>



**U20NRUD003**

## PRODUCT FEATURES

- Built-in RF transmitter/receiver enables remote switching and dimming functions.
- Customised scene or individual circuit control increases the flexibility to change lighting moods.
- Wireless connectivity reduces hassle in managing conduit and wiring to the unit.
- Built-in logic control engine.
- Programmable input/output control function.



**U20NRUD001 illustrated**

CATALOGUE NUMBER	DESCRIPTION
<b>U20NRUD003 X01</b>	Universal Input/Output Module (EZinstall/NEO-i), 434MHz
<b>U20NRUD003 X00</b>	Universal Input/Output Module (EZinstall/NEO-i), 315MHz

# Key Card Switch

The ULTI Family Key Card Switch is designed to connect with Clipsal's Universal Input/Output Module to form a complete hotel room control system. Key Card Switch is available in a wide range of finishes and easily complements the ULTI Hotel Control Solution range of bedside console, switches and dimmers.

### TECHNICAL INFORMATION

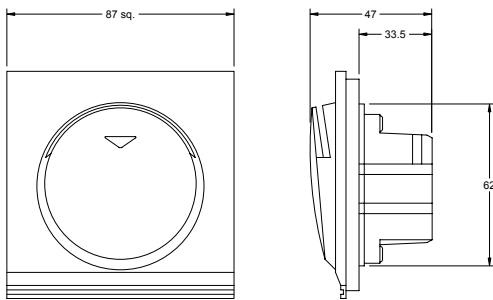
Catalogue Number	<b>U31EKTH</b>	<b>U31EKTH LV</b>
Switch Output (Voltage)	<b>1</b>	
Backlit LED	<b>Amber or Blue</b>	
Input Voltage	<b>220VAC</b>	<b>9 - 16VDC</b>
Mounting Centers	<b>60.3mm</b>	
Dimensions	<b>87mm(H) x 87mm(W) x 39mm(D)</b>	
Operating Temperature Range	<b>0°C to 40°C</b>	
Operating Humidity Range	<b>0 - 95% RH</b>	



**U31EKTH**

### PRODUCT FEATURES

- Complements the Bedside Console, switches and dimmers for a complete guestroom control solution.
- Compliant with requirements of European Community Countries for Electromagnetic compliance.



CATALOGUE NUMBER	DESCRIPTION
<b>U31EKTH</b>	Key Card Switch
<b>U31EKTH LV</b>	Key Card Switch, Low Voltage

### Cover Selection

Brushed Silver	Pearl White	Champagne Gold	Crystal Glass
<b>BBS</b>	<b>BPW</b>	<b>ACG</b>	<b>BGL</b>

# Bell Press Switch

The ULTI Family Bell Press Switch is available in a wide range of finishes and easily complements the ULTI Hotel Control Solution range of bedside console, switches and dimmers.

## TECHNICAL INFORMATION

Catalogue Number	<b>US31BP</b>
Switch Output (Voltage)	<b>1</b>
Backlit LED	<b>Amber or Blue</b>
Input Voltage	<b>240VAC</b>
Mounting Centers	<b>60.3mm</b>
Dimensions	<b>87mm(H) x 87mm(W) x 36mm(D)</b>
Operating Temperature Range	<b>0° C to 40° C</b>
Operating Humidity Range	<b>0 - 95% RH</b>

**Note:** Other input voltage frequencies are available upon request.



**US31BP BGL**

## PRODUCT FEATURES

- Complements the Bedside Console, switches and dimmers for a complete guestroom control solution.
- Compliant with requirements of European Community Countries for Electromagnetic compliance.

CATALOGUE NUMBER	DESCRIPTION
------------------	-------------

<b>US31BP</b>	Bell Press Switch
---------------	-------------------

### Bell Press Switch Without Cover

<b>US31BP A00</b>	Bell Press Switch, Amber LED, Module only
-------------------	---

<b>US31BP B00</b>	Bell Press Switch, Blue LED, Module only
-------------------	--

*Refer to Bell Press Switch Cover Plates for Cover Selection*

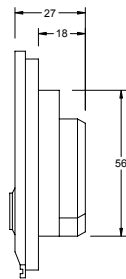
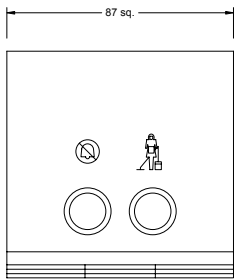
# Courtesy Panels

The ULTI Family Courtesy Panels are designed to connect with Clipsal's Universal Input/Output Module to form a complete hotel room control system. Courtesy panels provide guests with the convenience of indicating their preference for privacy to the hotel's housekeeping staff, such as to "Make Up Room" or "Do Not Disturb".

Courtesy Panels are available in a wide range of finishes and easily complements the ULTI Hotel Control Solution range of bedside console, switches and dimmers.

## TECHNICAL INFORMATION

Catalogue Number	<b>US32DMRJ 000</b>	<b>US33DMRJ</b>
Switch Output (Voltage)	<b>2</b>	<b>N/A</b>
Switch Output (Voltage Free)	<b>N/A</b>	<b>1</b>
Statue LED	<b>2 - DND/MUR</b>	<b>2 - DND/MUR</b>
Magnetic Switch	<b>N/A</b>	<b>1</b>
Backlit LED	<b>Amber or Blue</b>	
Input Voltage	<b>9-12VDC</b>	
Mounting Centers	<b>60.3mm</b>	
Dimensions	<b>87mm(H) x 87mm(W) x 36mm(D)</b>	
Operating Temperature Range	<b>0° C to 40° C</b>	
Operating Humidity Range	<b>0 - 95% RH</b>	



US32HDSM illustrated



US32DMRJ 000



US33DMRJ

## PRODUCT FEATURES

- Customisable icons to suit hotel's requirements.
- Light touch buttons equipped with LED backlight enable guests to locate switch in a dark environment.
- Complements the Bedside Console, switches and dimmers for a complete guestroom control solution.
- Compliant with requirements of European Community Countries for Electromagnetic compliance.

### CATALOGUE NUMBER DESCRIPTION

#### Control Switch

**US32DMRJ 000** Courtesy Panel, Internal, DND/PCU Control Switch, RJ45

#### Indicator Switch with Bell Press

**US33DMRJ** Courtesy Panel, External, DND/PCU Indicator Switch with Bell Press, RJ45

#### Courtesy Panels Without Cover

**US32DMRJ 000** Courtesy Panel, Internal, DND/PCU Control Switch RJ45, Amber Blue LED, Module Only

**US33DMRJ A00** Courtesy Panel, External, DND/PCU Indicator Switch with Bell Press RJ45, Amber LED, Module Only

**US33DMRJ B00** Courtesy Panel, External, DND/PCU Indicator Switch with Bell Press RJ45, Amber LED, Module Only

Refer to Courtesy Panel Cover Plates for Cover Selection

# Shaver Sockets

CATALOGUE NUMBER	DESCRIPTION			
<b>US727H</b>	Universal Shaver Socket, 100/240VAC			
<b>Cover Selection</b>				
Brushed Silver	Pearl White	Champagne Gold	Crystal Glass	
<b>XBS</b>	<b>XPW</b>	<b>XCG</b>	<b>XGL</b>	



**US727H XGL**

# Bell Press Switch Cover Plates

CATALOGUE NUMBER	DESCRIPTION					
<b>UC31BP</b>	Bell Press Cover Plate					
<b>Cover Selection</b>						
Plastic			Glass			
Brushed Silver <b>XBS</b>	Pearl White <b>XPW</b>	Champagne Gold <b>XCG</b>	Crystal Glass <b>XGL</b>			
Metal						
Silver Mirror <b>301</b>	Silver Hairline <b>302</b>	Black Mirror <b>303</b>	Black Hairline <b>304</b>	Metallic Yellow <b>305</b>	Metallic Light Blue <b>306</b>	



**UC31BP XGL**

# Courtesy Panel Cover Plates

CATALOGUE NUMBER	DESCRIPTION					
<b>UC32HDMS</b>	DND/PCU Control Switch Cover Plate					
<b>UC33HBPDM</b>	DND/PCU Indicator with Bell Press Cover Plate					
<b>Cover Selection</b>						
Plastic			Glass			
Brushed Silver <b>XBS</b>	Pearl White <b>XPW</b>	Champagne Gold <b>XCG</b>	Crystal Glass <b>XGL</b>			
Metal						
Silver Mirror <b>301</b>	Silver Hairline <b>302</b>	Black Mirror <b>303</b>	Black Hairline <b>304</b>	Metallic Yellow <b>305</b>	Metallic Light Blue <b>306</b>	



**UC32HDM XGL**

# Key Card Switch

NEO Extra Low Voltage Series Hotel Control Solutions are so versatile that it easily integrates with most Guestroom Management Systems (GMS). The Key Card Switch operates in conjunction with the hotel's GMS to provide information to Front Desk staff on guestroom occupancy status and energy management performance.

## TECHNICAL INFORMATION

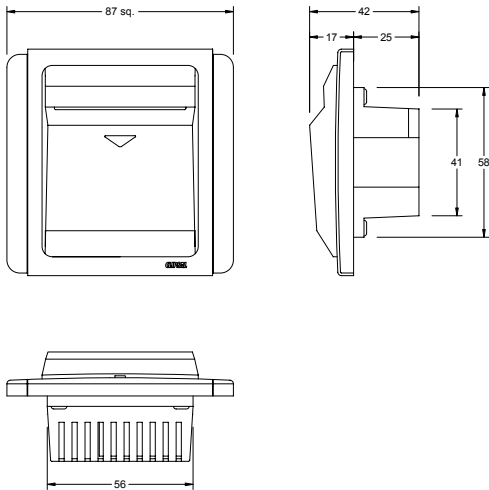
Catalogue Number	<b>E3031EKTHLV</b>
Output	<b>Voltage free dry contact</b>
Contact Rating	<b>Max. 24VDC/20mA</b>
Status LED Input	<b>5 or 12VDC (selectable)</b>
LED Color	<b>Amber</b>
Connection	<b>RJ45</b>
Mounting Centers	<b>60.3mm</b>
Dimensions	<b>87mm(H) x 87mm(W) x 42mm(D)</b>
Card Dimension	<b>86mm(L) x 54mm(W)</b>
Card Thickness	<b>0.6 mm - 1.1mm</b>
Operating Temperature Range	<b>0°C to 40°C</b>
Operating Humidity Range	<b>0 - 95% RH</b>



**E3031EKTHLV**

## PRODUCT FEATURES

- Modern, stylish and contemporary design.
- Integrates with most Guestroom Management Systems (GMS) in the market.
- RJ45 connection design.



CATALOGUE NUMBER	DESCRIPTION
<b>E3031EKTHLV EAGS</b>	Key Card Switch, Battleship Grey

# Switches

NEO Extra Low Voltage Series Hotel Control Solutions are so versatile that it easily integrates with most Guestroom Management Systems (GMS). The NEO ELV Switches reflects the latest in cutting edge design, fitted large, flat, tactile rockers with amber LED to provide guests with convenient on/off switching.

Its modern and stylish appearance makes it suitable to complement any contemporary interior design.

### TECHNICAL INFORMATION

Catalogue Number	E3031LV	E3032LV	E3033LV
Output	<b>Voltage free dry contact</b>		
Contact Rating	<b>Max. 24VDC / 20mA</b>		
Status LED Input	<b>5 or 12VDC (selectable)</b>		
LED Color	<b>Amber</b>		
Connection	<b>RJ45</b>		
Mounting Centers	<b>60.3mm</b>		
Dimensions	<b>87mm(H) x 87mm(W) x 30mm(D)</b>		
Operating Temperature Range	<b>0° C to 40° C</b>		
Operating Humidity Range	<b>0 - 95% RH</b>		



**E3032LV**

### PRODUCT FEATURES

- Modern, stylish and contemporary design.
- Integrates with most Guestroom Management Systems (GMS) in the market.
- RJ45 connection design.
- Tactile switch.
- Easy-to-use light-touch buttons.

CATALOGUE NUMBER	DESCRIPTION
<b>E3031LV EAGS</b>	1 Gang Switch, 5/12V Selectable, Battleship Grey
<b>E3032LV EAGS</b>	2 Gang Switch, 5/12V Selectable, Battleship Grey
<b>E3033LV EAGS</b>	3 Gang Switch, 5/12V Selectable, Battleship Grey

# Dimmers

NEO Extra Low Voltage Series Hotel Control Solutions are so versatile that it easily integrates with most Guestroom Management Systems (GMS). The NEO ELV Dimmers reflects the latest in cutting edge design, fitted large, flat, tactile rockers with amber LED to provide guests with convenient on/off switching and dimming.

Its modern and stylish appearance makes it suitable to complement any contemporary interior design.

### TECHNICAL INFORMATION

Catalogue Number	E3031DLV	E3032DLV
Output	<b>Voltage free dry contact</b>	
Contact Rating	<b>Max. 24VDC/20mA</b>	
Status LED Input	<b>5 or 12VDC (selectable)</b>	
LED Color	<b>Amber</b>	
Connection	<b>RJ45</b>	
Mounting Centers	<b>60.3mm</b>	
Dimensions	<b>87mm(H) x 87mm(W) x 30mm(D)</b>	
Operating Temperature Range	<b>0° C to 40° C</b>	
Operating Humidity Range	<b>0 - 95% RH</b>	



**E3032DLV**

### PRODUCT FEATURES

- Modern, stylish and contemporary design.
- Integrates with most Guestroom Management Systems (GMS) in the market.
- RJ45 connection design.
- Tactile switch.
- Easy-to-use light-touch buttons.

CATALOGUE NUMBER	DESCRIPTION
<b>E3031DLV EAGS</b>	1 Gang Dimmer, 5/12V Selectable, Battleship Grey
<b>E3032DLV EAGS</b>	2 Gang Dimmer, 5/12V Selectable, Battleship Grey

# Courtesy Panels

NEO Extra Low Voltage Series Hotel Control Solutions are so versatile that it easily integrates with most Guestroom Management Systems (GMS) available in the market. The Courtesy Panel operates in conjunction with the hotel's GMS to provide guests with the convenience of indicating their preference for privacy to the hotel's housekeeping staff, such as to "Make Up Room" or "Do Not Disturb".

The NEO ELV Series reflects the latest in cutting edge design, fitted with amber LED status indicators and easy-to-use light-touch button operation.

Its modern and stylish appearance makes it suitable to complement any contemporary interior design.

## TECHNICAL INFORMATION

Catalogue Number	E3031DMBLV	E3032DMBWL	E3031WLV	E3032DMLV	E3033DMBLV
Output	<b>Voltage free dry contact</b>				
Contact Rating	<b>Max. 24VDC/20mA</b>				
Status LED Input	<b>5 or 12VDC (selectable)</b>				
LED Color (Control Switch)	<b>Amber</b>				
LED Color (Bell Press Switch)	<b>Red - DND/Please Wait Display Green - MUR Display</b>				
Connection	<b>RJ45</b>				
Mounting Centers	<b>60.3mm</b>				
Dimensions	<b>87mm(H) x 87mm(W) x 30mm(D)</b>				
Operating Temperature Range	<b>0°C to 40°C</b>				
Operating Humidity Range	<b>0 - 95% RH</b>				



**E3031DMBLV EGGS**

## PRODUCT FEATURES

- Modern, stylish and contemporary design.
- Integrates with most Guestroom Management Systems (GMS) in the market.
- RJ45 connection design.
- Tactile switch.
- Easy-to-use light-touch buttons.
- Customisable icons to suit requirements.

CATALOGUE NUMBER	DESCRIPTION
<b>E3031DMBLV EGGS</b>	Courtesy Panel, External, Bell Switch with DND/PCU/Butler Call, 5/12V Selectable, Battleship Grey
<b>E3031DMBWLV EGGS</b>	Courtesy Panel, External, Bell Switch with DND/PCU/Butler Call/Please Wait Indicator, 5/12V Selectable, Battleship Grey
<b>E3031WLV EAGS</b>	Courtesy Panel, Internal, Please Wait Control Switch, 5/12V Selectable, Battleship Grey
<b>E3032DMLV EAGS</b>	Courtesy Panel, Internal, DND/PCU Control Switch, 5/12V Selectable, Battleship Grey
<b>E3033DMBLV EAGS</b>	Courtesy Panel, Internal, DND/PCU/Butler Call Control Switch, 5/12V Selectable, Battleship Grey

# Curtain Switches

NEO Extra Low Voltage Series Hotel Control Solutions are so versatile that it easily integrates with most Guestroom Management Systems (GMS). The NEO ELV Series Curtain Switches operates in conjunction with the hotel's GMS to perform selected curtain control functions. The Curtain Switches reflects the latest in cutting edge design, fitted large, flat, tactile rockers with amber LED to provide guests with the convenience of opening and closing curtains at the touch of a button.

Its modern and stylish appearance makes it suitable to complement any contemporary interior design.

## TECHNICAL INFORMATION

Catalogue Number	E3031CLV	E3032CLV
Output	<b>Voltage free dry contact</b>	
Contact Rating	<b>Max. 24VDC/20mA</b>	
Connection	<b>RJ45</b>	
Mounting Centers	<b>60.3mm</b>	
Dimensions	<b>87mm(H) x 87mm(W) x 30mm(D)</b>	
Operating Temperature Range	<b>0° C to 40° C</b>	
Operating Humidity Range	<b>0 - 95% RH</b>	



**E3031CLV**

## PRODUCT FEATURES

- Modern, stylish and contemporary design.
- Integrates with most Guestroom Management Systems (GMS) in the market.
- RJ45 connection design.
- Tactile switch.
- Easy-to-use light-touch buttons.
- Customisable icons to suit requirements.

CATALOGUE NUMBER	DESCRIPTION
<b>E3031CLV</b>	1 Gang Curtain Switch, 5/12V Selectable, Battleship Grey
<b>E3032CLV</b>	2 Gang Curtain Switch, 5/12V Selectable, Battleship Grey

## Shaver Sockets

CATALOGUE NUMBER	DESCRIPTION
<b>ET3727V GS</b>	Universal Shaver Socket, 100/240VAC, Battleship Grey
<b>ET3727V WW</b>	Universal Shaver Socket, 100/240VAC, White Electric



**ET3727V GS**

## Unswitched Sockets

CATALOGUE NUMBER	DESCRIPTION
<b>US426</b>	Single Gang Socket, 13A
<b>UST426</b>	Twin Gang Socket, 13A

Cover Selection				
Brushed Silver	Pearl White	Champagne Gold	Crystal Glass	
<b>XBS</b>	<b>XPW</b>	<b>XCG</b>	<b>XGL</b>	

Unswitched Socket Outlet Without Cover	
<b>US426 000</b>	Single Gang Socket, 13A, Module Only



**US426 XGL**

## Switched Sockets

CATALOGUE NUMBER	DESCRIPTION
<b>US15 A00</b>	Single Gang Socket, 13A, Amber LED
<b>UST25 A00</b>	Twin Gang Socket, 13A, Amber LED
<b>US15 B00</b>	Single Gang Socket, 13A, Blue LED
<b>UST25 B00</b>	Twin Gang Socket, 13A, Blue LED



**UST25**

## Telephone/Data Sockets

CATALOGUE NUMBER	DESCRIPTION
<b>US31RJ 000</b>	1 Gang Telephone/Data Socket, RJ45, Module Only



**US31RJ**

## TV/FM Sockets

CATALOGUE NUMBER	DESCRIPTION
<b>US32TVFM/2 000</b>	1 Gang TV/FM Socket, Module Only

## Television Sockets

CATALOGUE NUMBER	DESCRIPTION
<b>US31TV 000</b>	1 Gang Television Socket, Module Only



**US31TV**

## Dual Data Sockets

CATALOGUE NUMBER	DESCRIPTION
<b>US32TD 000</b>	2 Gang Telephone/Data Socket, RJ45, Module Only



**US32TD**

## AV Sockets

CATALOGUE NUMBER	DESCRIPTION
<b>US31AV 000</b>	RCA/S-Video Socket, Module Only



**US31AV**

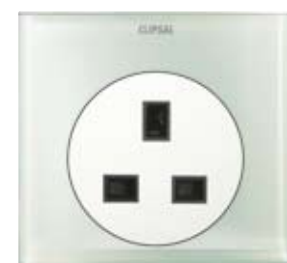
## Unswitched Socket Cover Plates

CATALOGUE NUMBER	DESCRIPTION
<b>British Standard</b>	
<b>UC426</b>	British Standard 13A Power Socket Cover Plate
<b>UCT 426</b>	Twin Gang, British Standard 13A Power Socket Cover Plate

### Cover Selection

Plastic			Glass
<b>Brushed Silver</b> XBS	<b>Pearl White</b> XPW	<b>Champagne Gold</b> XCG	<b>Crystal Glass</b> XGL

Metal					
<b>Silver Mirror</b> 301	<b>Silver Hairline</b> 302	<b>Black Mirror</b> 303	<b>Black Hairline</b> 304	<b>Metallic Yellow</b> 305	<b>Metallic Light Blue</b> 306



**UC426 XGL**

# Telephone/Data Module Cover Plates

CATALOGUE NUMBER	DESCRIPTION				
<b>British Standard</b>					
<b>UC31RJ</b>	1 Gang Data Socket Cover Plate				
<b>Cover Selection</b>					
Plastic			Glass		
<b>Brushed Silver</b> XBS	<b>Pearl White</b> XPW	<b>Champagne Gold</b> XCG	<b>Crystal Glass</b> XGL		
Metal					
<b>Silver Mirror</b> 301	<b>Silver Hairline</b> 302	<b>Black Mirror</b> 303	<b>Black Hairline</b> 304	<b>Metallic Yellow</b> 305	<b>Metallic Light Blue</b> 306



**UC31RJ XGL**

# Television Module Cover Plates

CATALOGUE NUMBER	DESCRIPTION				
<b>British Standard</b>					
<b>UC31TV</b>	1 Gang TV Socket Cover Plate				
<b>UC32TVFM</b>	2 Gang TV/FM Socket Cover Plate				
<b>Cover Selection</b>					
Plastic			Glass		
<b>Brushed Silver</b> XBS	<b>Pearl White</b> XPW	<b>Champagne Gold</b> XCG	<b>Crystal Glass</b> XGL		
Metal					
<b>Silver Mirror</b> 301	<b>Silver Hairline</b> 302	<b>Black Mirror</b> 303	<b>Black Hairline</b> 304	<b>Metallic Yellow</b> 305	<b>Metallic Light Blue</b> 306



**UC31TV XGL**

## Dual Data Module Cover Plates

CATALOGUE NUMBER		DESCRIPTION			
<b>British Standard</b>					
<b>UC32TD</b>		2 Gang Data Socket Cover Plate			
<b>Cover Selection</b>					
Plastic			Glass		
<b>Brushed Silver</b> XBS	<b>Pearl White</b> XPW	<b>Champagne Gold</b> XCG	<b>Crystal Glass</b> XGL		
Metal					
<b>Silver Mirror</b> 301	<b>Silver Hairline</b> 302	<b>Black Mirror</b> 303	<b>Black Hairline</b> 304	<b>Metallic Yellow</b> 305	<b>Metallic Light Blue</b> 306



**UC32TD XGL**

## AV Module Cover Plates

CATALOGUE NUMBER		DESCRIPTION			
<b>British Standard</b>					
<b>UC31AV</b>		RCA/S-Video Cover Plate			
<b>Cover Selection</b>					
Plastic			Glass		
<b>Brushed Silver</b> XBS	<b>Pearl White</b> XPW	<b>Champagne Gold</b> XCG	<b>Crystal Glass</b> XGL		
Metal					
<b>Silver Mirror</b> 301	<b>Silver Hairline</b> 302	<b>Black Mirror</b> 303	<b>Black Hairline</b> 304	<b>Metallic Yellow</b> 305	<b>Metallic Light Blue</b> 306



**UC31TV XGL**

# Universal Socket Outlets

CATALOGUE NUMBER	DESCRIPTION
<b>China Standard</b>	
<b>E3426US</b>	Single Gang Socket, 2-Pin, 10A
<b>E3426US2</b>	Single Gang Socket, 2x2-Pin, 10A
<b>E3426/10US</b>	Single Gang Socket, 2/3-Pin, 10A
<b>E3015US</b>	Single Gang Switched Socket, 2-Pin, 10A
<b>E3015/10US</b>	Single Gang Switched Socket, 2/3-Pin, 10A
<b>Cover Selection</b>	
Battleship Grey	White
<b>GS</b>	<b>WW</b>



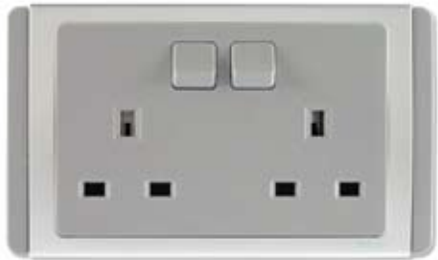
**E3426 GS**



**E3015 GS**

# Socket Outlets

CATALOGUE NUMBER	DESCRIPTION
<b>China Standard</b>	
<b>E3426CS</b>	Single Gang Socket, 3-Pin, 10A
<b>E3015CS</b>	Single Gang Switched Socket, 3-Pin, 10A
<b>E3426/16CS</b>	Single Gang Socket, 3-Pin, 16A
<b>E3015/16CS</b>	Single Gang Switched Socket, 3-Pin, 16A
<b>Cover Selection</b>	
Battleship Grey	White
<b>GS</b>	<b>WW</b>
<b>E3015CSE</b>	Single Gang Switched Socket with LED, 3-Pin, 10A
<b>E3015/16CSE</b>	Single Gang Switched Socket with LED, 3-Pin, 16A
<b>Cover Selection</b>	
Battleship Grey	White
<b>EBGS</b>	<b>EWWW</b>



**ET3025 GS**

CATALOGUE NUMBER	DESCRIPTION
<b>British Standard</b>	
<b>E3426</b>	Single Gang Socket, 3-Pin, 13A
<b>E3015</b>	Single Gang Switched Socket, 3-Pin, 13A
<b>ET3426</b>	Twin Gang Socket, 3-Pin, 13A
<b>ET3025</b>	Twin Gang Switched Socket, 3-Pin, 13A
<b>E3426/16S</b>	Single Gang, 2P+E, 16A
<b>Cover Selection</b>	
Battleship Grey	White
<b>GS</b>	<b>WW</b>
<b>E3015D</b>	Single Gang Switched Socket with LED, 3-Pin, 13A
<b>ET3025D</b>	Twin Gang Switched Socket with LED, 3-Pin, 13A
<b>ET3015/15</b>	Single Gang Socket, 3-Pin Round, 13A
<b>Cover Selection</b>	
Battleship Grey	White
<b>EBGS</b>	<b>EWWW</b>

## Television Sockets

CATALOGUE NUMBER	DESCRIPTION
<b>E3031TV</b>	1 Gang, Television Socket, Coaxial
<b>E3031TVF</b>	1 Gang, Television Socket, F-Type
<b>E3031STVM</b>	1 Gang, Television Socket, Shielded, 3.5dB
<b>E3031STVS</b>	1 Gang, Television Socket, Coaxial with Shutter
<b>E3032VTV</b>	2 Gang, Television Socket, Coaxial, Vertical
<b>E3032VTFM/2</b>	2 Gang, TV/FM Socket

### Cover Selection

Battleship Grey	White	
<b>GS</b>	<b>WW</b>	



**E3031TV GS**

## Telephone and Data Sockets

CATALOGUE NUMBER	DESCRIPTION
<b>E3031RJ</b>	1 Gang, Telephone Socket, RJ11
<b>E3032RJ</b>	2 Gang, Telephone Socket, RJ11
<b>E3031/1M</b>	1 Gang, Telephone Socket, BT Standard
<b>E3031RJ5E</b>	1 Gang, Data Socket, RJ45, Cat 5e
<b>E3032RJ5E</b>	2 Gang, Data Socket, RJ45, Cat 5e
<b>E3032TD</b>	2 Gang, Data/Telephone Socket, RJ45/RJ11

### Cover Selection

Battleship Grey	White	
<b>GS</b>	<b>WW</b>	



**E3031RJ WW**